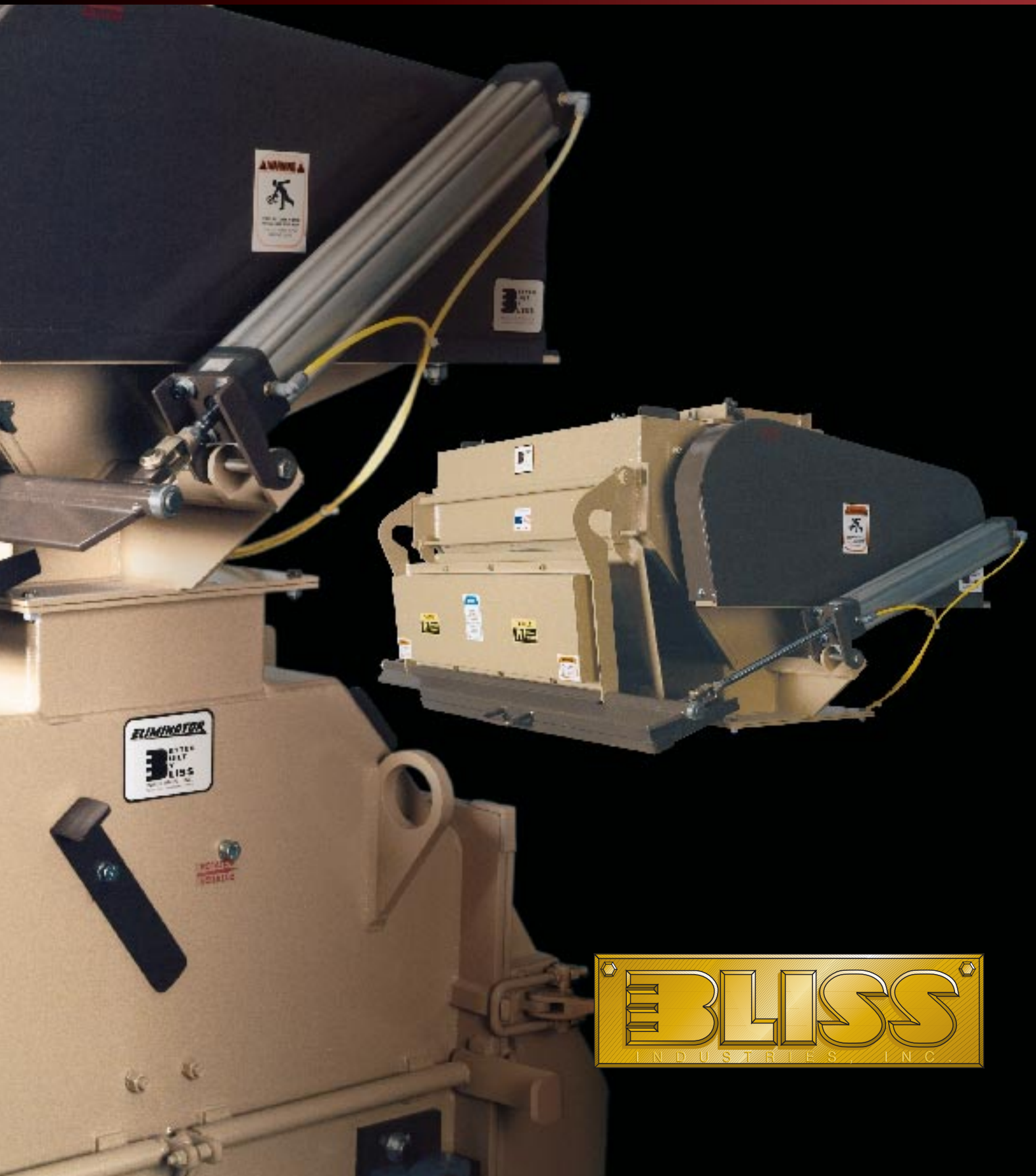


# ***ELIMINATOR***

## **COMBO ROTARY FEEDERS & MAGNET ADAPTERS**



**BLISS**  
INDUSTRIES, INC.

# **ELIMINATOR COMBO**

Uniform feed rates directly effect the amount of product produced per kilowatt. Incorporating a Bliss Rotary Feeder/Magnet Adapter will increase the profitability of an existing processing system. It features variable speed drives that regulate the feeder speed to a preselected amp load of the processing equipment (i.e. hammer-mill). The feeder features an Automatic Self-Cleaning, Manual Self-Cleaning, or Manual Clean Magnet Adapter. The combination Rotary Feeder/Magnet Adapter fits compactly into any existing system, reducing typical height requirements by 16" to 20".

*Available in twelve sizes ranging from 7-1/2" to 49" widths.*



*Variable speed drives allow for infinite rate adjustment.*

*Automatic Self-Cleaning magnet adapter insures easy clean operation.*



*Compact design reduces traditional height requirement by 16" to 20"*

*Air cylinder opens adapter, pulling the magnet "out of range" of the stainless steel stripper plate, allowing tramp metal to fall free into the discharge pan.*

**Rotary Feeders available in 10" and 14" diameter paddle wheels manufactured of nylon or cast iron steel.**

## **ELIMINATOR WITH OPTIONAL ROCK TRAP**



Optional air manifold available to clean pockets of high fat/oil or sticky products.



# MANUAL SELF CLEANING MAGNET ADAPTER

Increased productivity, efficiency and profitability can be expected when incorporating a Bliss Eliminator Self-Cleaning, Manual Self-Cleaning or Manual Clean Magnetic Adapter into your current processing system. All too often, tramp metal is inadvertently allowed to enter a system prior to processing. This metal is directly responsible for excessive machinery wear, increased production costs and equipment shutdown or breakdown. Don't settle for less than your processing system is capable of. Incorporate Eliminator magnet adapters now and put a stop to excessive machinery damage.



*Compact 45° or 60° design easily incorporates into existing system.*

*Design is easily accessible for routine maintenance.*

All too often, the operator neglects or forgets to clean the magnet on a manual magnet trap. With our exclusive Automatic Self-Cleaning, Manual Self-Cleaning or Manual Clean Magnetic Adapter, the magnet is easy to clean, eliminating the chance for operator neglect. The bottom line will show, Bliss Eliminator Magnet Adapters pay for themselves many times over within the first few years of service.

*The handle opens the adapter, pulling the magnet "out of range" of the stainless steel stripper plate, allowing tramp metal to fall free into the discharge pan.*



## MANUAL CLEAN MAGNET ADAPTER

*Heavy duty industrial magnet.*

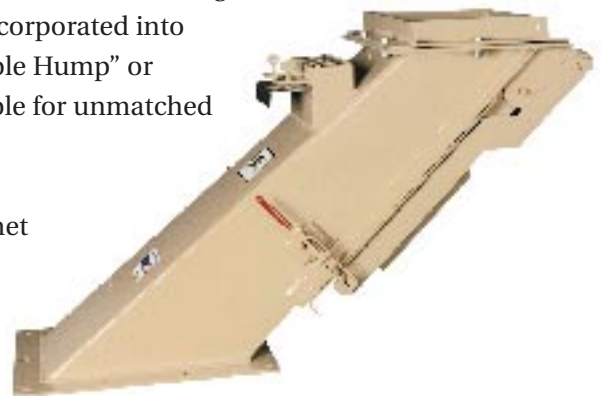
If you demand hands-on control, Bliss offers a full line of manually operated magnet adapters. They feature the same high quality features and can be incorporated into most processing systems. "Double Hump" or single 45° & 60° models are available for unmatched tramp metal protection.

*Optional Conveniently located air inlet.*

NOTE: Automatic Self-Cleaning Magnet Adapters illustrated on Combo Rotary Feeder.

*Manually operated magnet clean-out.*

*Traditional heavy duty Bliss construction.*

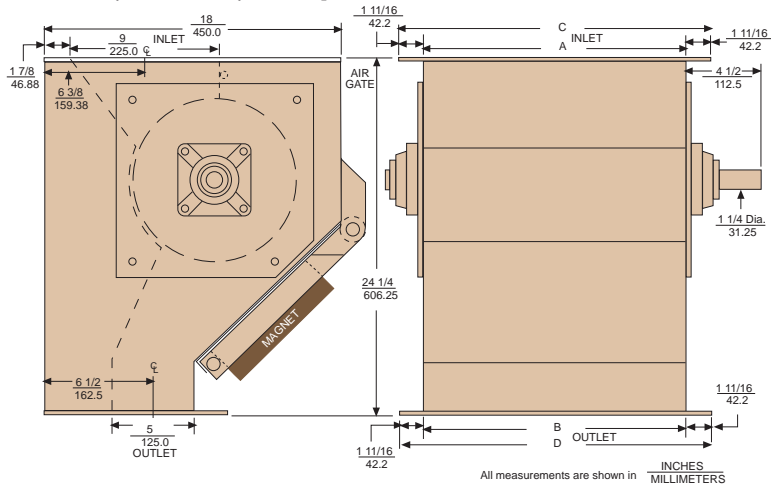


*Compact design adapts to existing system.*

# SPECIFICATIONS

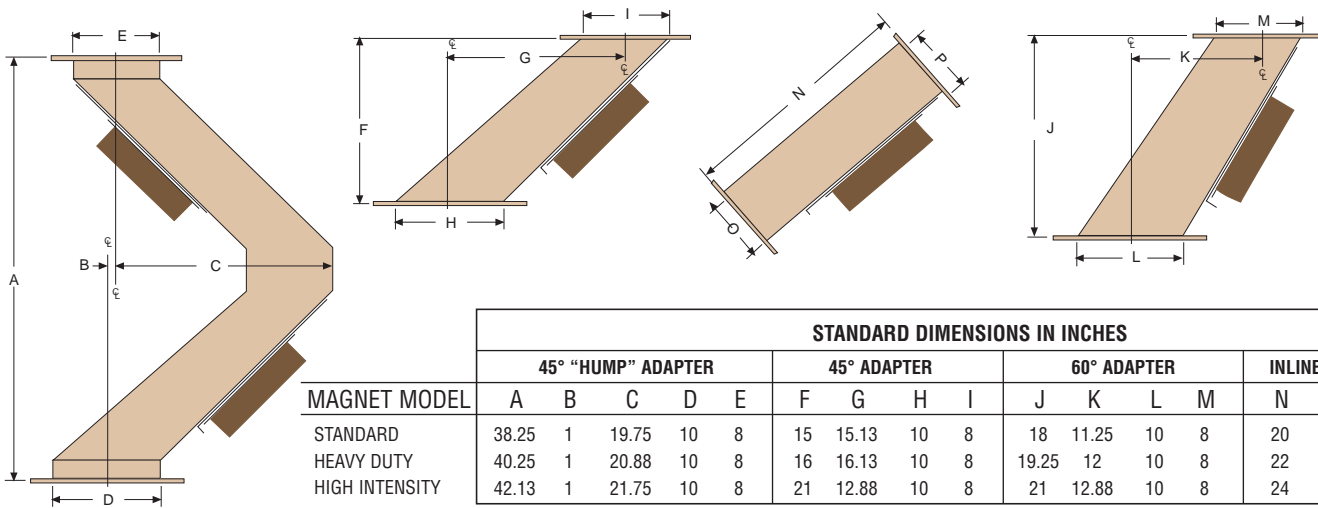
## ROTARY FEEDER/MAGNET ADAPTER (10" Diameter)

Contact factory for 14" Rotary Feeder specifications.



FEEDER	INCHES	METRIC	INCHES	METRIC	INCHES	METRIC
	A & B		C & D		MAG. WIDTH	
2 ROW	7.75	196.85	11.13	282.58	8	203.2
3 ROW	11.25	285.75	14.63	371.48	12	304.8
4 ROW	14.75	374.65	18.13	460.38	16	406.4
5 ROW	18.25	463.55	21.63	549.28	20	508
6 ROW	21.76	552.45	25.13	638.18	22	558.8
7 ROW	25.25	641.35	28.63	727.08	26	660.4
8 ROW	28.75	730.25	32.13	815.98	30	762
9 ROW	32.25	819.15	35.63	904.88	34	863.6
10 ROW	35.75	908.05	39.13	993.78	36	914.4
11 ROW	39.25	996.95	42.63	1082.68	40	1016
12 ROW	42.75	1085.85	46.13	1171.58	44	1117.6
14 ROW	49.75	1263.65	53.13	1349.38	50	1270

## MAGNET ADAPTER



### STANDARD DIMENSIONS IN INCHES

MAGNET MODEL	45° "HUMP" ADAPTER				45° ADAPTER				60° ADAPTER				INLINE ADAPTER			
	A	B	C	D	E	F	G	H	I	J	K	L	M	N	O	P
STANDARD	38.25	1	19.75	10	8	15	15.13	10	8	18	11.25	10	8	20	4	4
HEAVY DUTY	40.25	1	20.88	10	8	16	16.13	10	8	19.25	12	10	8	22	6	6
HIGH INTENSITY	42.13	1	21.75	10	8	21	12.88	10	8	21	12.88	10	8	24	6	6

NOTE: Inlet width is determined by magnet width. Dimensions are subject to change without obligation or notice. Certified prints are available upon request.

ALL MODELS ARE AVAILABLE IN VERSIONS FOR AUTOMATIC, SEMIAUTOMATIC OR MANUAL OPERATION. Possible application for ELIMINATOR MAGNETIC ADAPTERS are limited only by your imagination!

**BLISS INDUSTRIES WILL CUSTOM BUILD EQUIPMENT FOR YOUR SPECIAL REQUIREMENTS.**



**Impacting Industries Worldwide.**

Bliss Industries Inc.  
P.O. Box 910 • Ponca City, Oklahoma U.S.A. 74602  
Phone (580) 765-7787 • Fax (580) 762-0111  
Internet: <http://www.bliss-industries.com>  
E-mail: [sales@bliss-industries.com](mailto:sales@bliss-industries.com)



WARNING LABELS  
"Industry Standard" Safety Warning Labels are applied as recommended and prepared by the AFIA Equipment Manufacturers Council.

Represented by:

